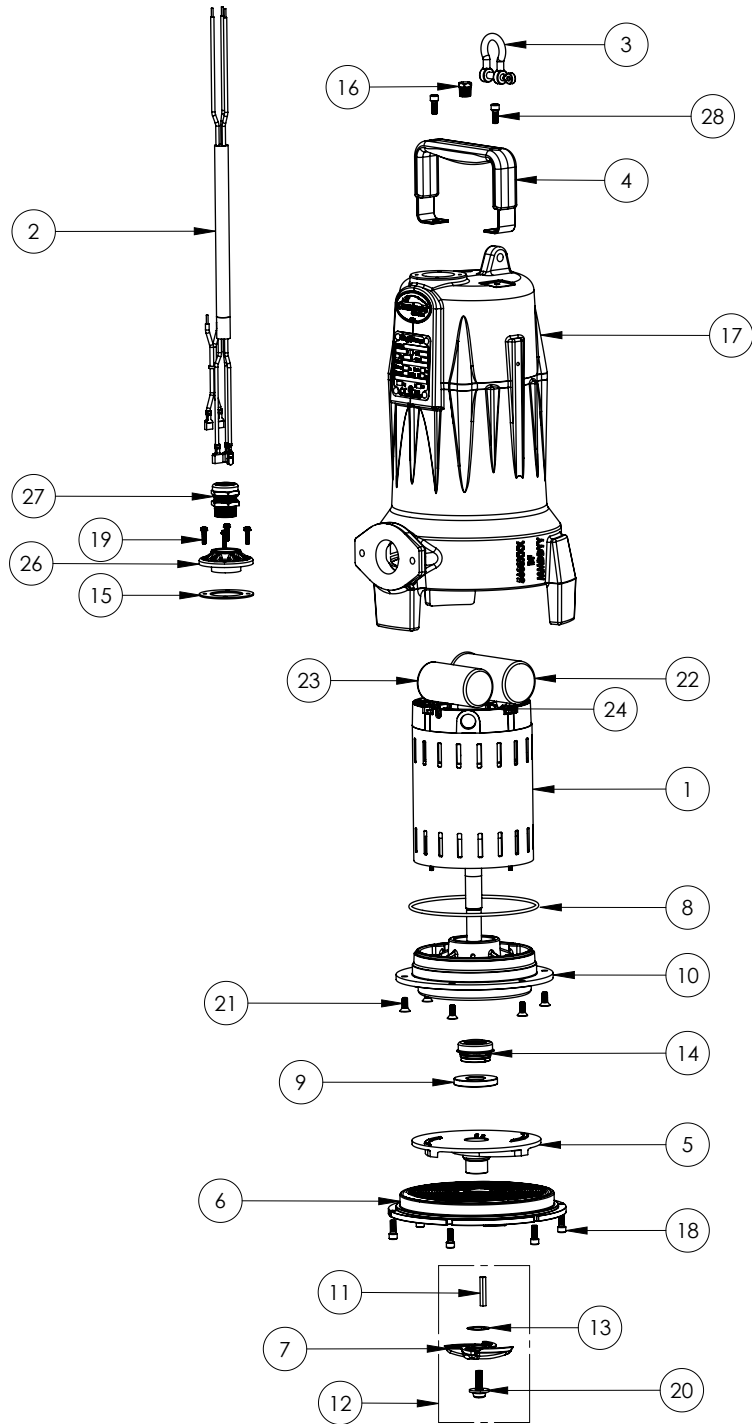


LSG202M-3E (B84)



LSG202M-3E (B84)

#	PART #	DESCRIPTION	QTY	Note
1	5788000	MOTOR 2HP, 220/230V 1PH 50HZ	1	[1]
2	K001418	IEC SINGLE PHASE 10M CORD KIT	1	
3	5611000	SHACKLE	1	
4	5613000	HANDLE	1	
5	K001538	GRINDER IMPELLER KIT	1	
6	K001395	CUTTER PLATE	1	
7	5616900	ROTARY CUTTER	1	
8	5617000	O-RING	1	
9	5618000	DOUBLE LIP SEAL	1	[1]
10	5632000	MOTOR PLATE	1	[1]
11	56350A0	KEY	1	
12	K001139	ROTARY CUTTER KIT	1	[2]
13	K001445	ROTARY CUTTER SHIM KIT	1	
14	5633000	3/4" UNITIZED SHAFT SEAL	1	[1]
15	5060000	CORD PLATE GASKET	1	
16	50710A0	PIPE PLUG, 1/4" HEX HD BRASS NPTF	1	
17	560000R	OMNIVORE HOUSING	1	
18	8103000	SCREW 1/4-20x5/8" HX SKT SS	8	
19	8064000	#8-32 x 5/8 HEX WASHER HEAD SCREW	4	
20	56360A0	FLANGED IMPELLER BOLT	1	
21	8018000	1/4-20 x 5/8 SLOTTED FLAT HEAD BOLT	6	
22	K001228	RUN CAPACITOR	1	
23	K001227	START CAPACITOR	1	
24	K001229	START SWITCH	1	
26	57890AR	PAINTED 3/4 NPT, CE CORD PLATE	1	
27	5790000	STRAIN RELIEF, 3/4 NPT STAINLESS, IEC	1	
28	8103000	SCREW 1/4-20x5/8" HX SKT SS	2	

PART NOTES:

- [1] - Part requires factory authorized service. Contact Liberty Pumps at 1-800-543-2550
- [2] - ForLSG GrinderCutter Replacment Instructions see LSG Grinder Cutter Replacement