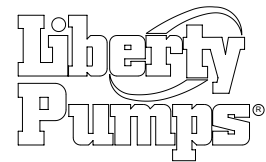
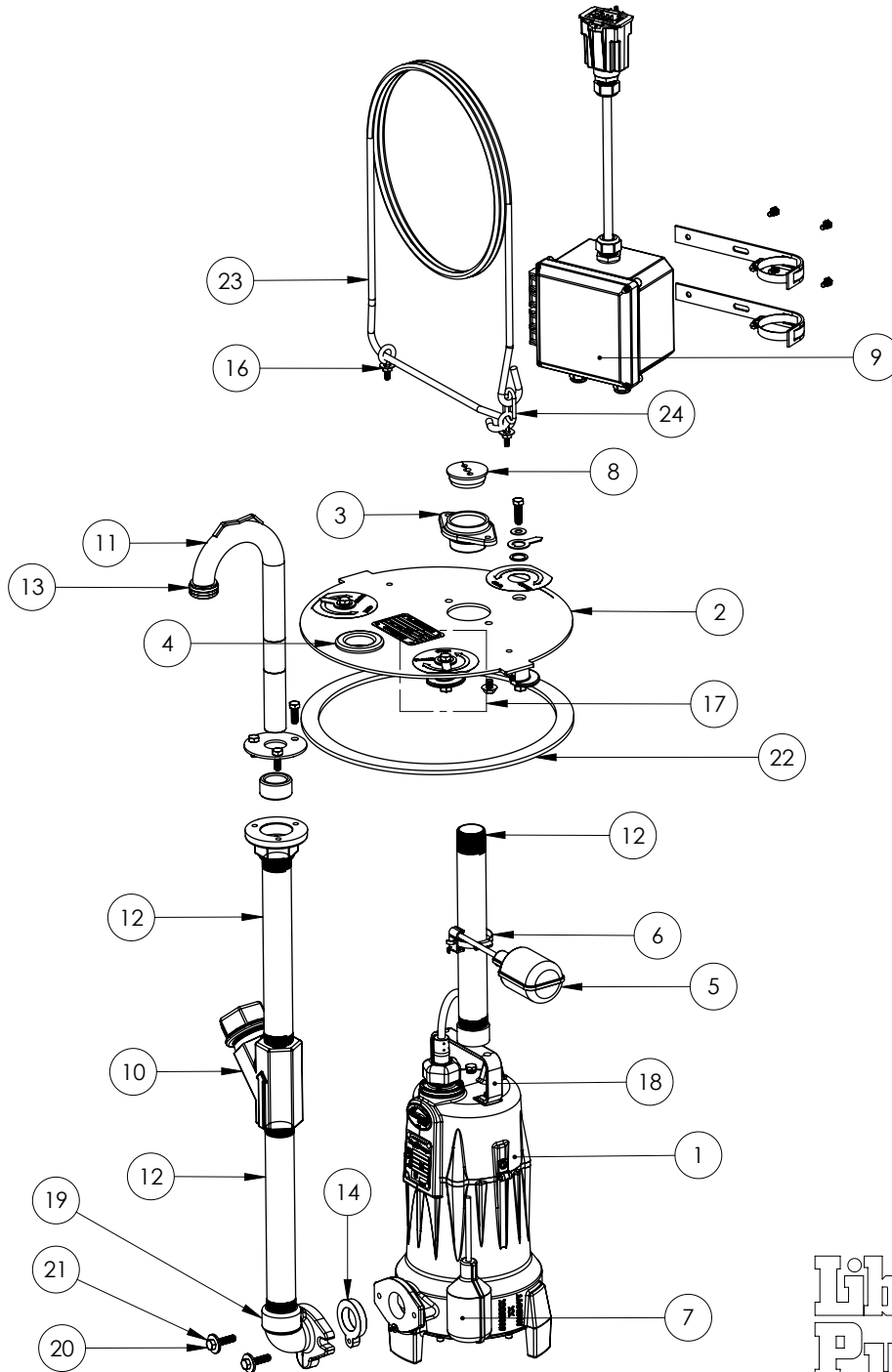


LSGX202-RE (B91)



LSGX202-RE

LSGX202-RE (B91)

#	PART #	DESCRIPTION	QTY	Note
1	LSGX202-REP	2-STAGE GRINDER REPLACEMENT FOR -RE	1	
2	8549000	COVER	1	
3	855100B	PIPE SUPPORT FLANGE	2	
4	K001353	4766000 PIPE SEAL GROMMET, 1-1/4" PIPE	1	
5	K001428	SWITCH KIT, 60050C0 12' RE CORD	1	
6	5870000	SWITCH CLAMP	1	
7	K001532	KIT, WIDE ANGLE PILOT DUTY NO 12'	1	
8	45480C0	3 HOLE STOPPER	1	
9	K001550	KIT, RE ENCLOSURE (SQUARE) AND BRACKETS	1	
10	ACV125	1.25" ANTI-SIPHON VALVE	1	
11	8570000	DISCHARGE ELBOW, STAINLESS STEEL	1	[1]
12	K001500	DISCHARGE PIPE, 1-1/4", SS 13" LONG	2	
13	8571000	DISCHARGE SEAL	2	
14	5644000	1-1/4" FLANGE SEAL GROMMET	1	
15	56880B0	POWER CORD ASSEMBLY, 230V 1 PH	1	
16	5673000	EYEBOLT	2	
17	8560E00	CAM LOCK ASSEMBLY	1	
18	56740A0	PUMP HANDLE / HANGER	1	
19	565400R	FLANGED ELBOW	1	
20	8110000	3/8-16 x 1-1/2" STAINLESS STEEL HEXBOLT 3/8-16X1-1/2 316SS	2	
21	8158000	WASHER, 3/8 x 1-1/8, SS	2	
22	K001438	COVER GASKET KIT, 4071RB0	1	
23	56670A0	ROPE 5/8 HOLLOW BRADE	1	
24	4755000	3/16" QUICK LINK, STAINLESS STEEL	1	

PART NOTES:

[1] - K001498: RE-DISCHARGE KIT

Includes:

\\k001498.jpg" align=left>