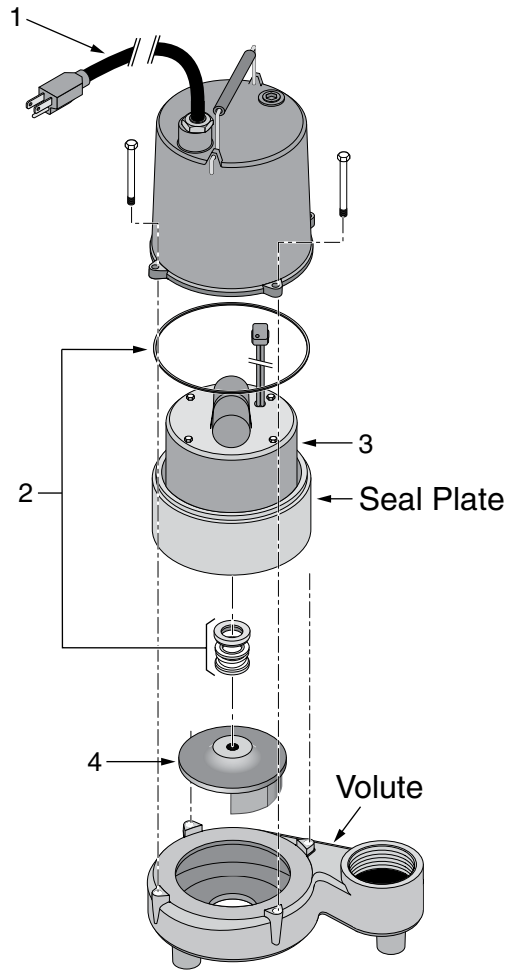


EXPLODED VIEW



REPAIR PARTS LIST

Key No.	Part Description	Qty	SHEF45M1	SHEF45M2
1	Cord 115V 20'	1	146230201	146232201
2	Seal Kit (Includes shaft seal and Motor Cover O-Ring)	1	517001277	517001277
3	Motor	1	*	*
4	Impeller	1	08155-002-1	08155-002-1
•	Dielectric Oil (1 Qt.)	2	U197-8A	U197-8A

* If motor fails, replace entire pump.

• Not illustrated