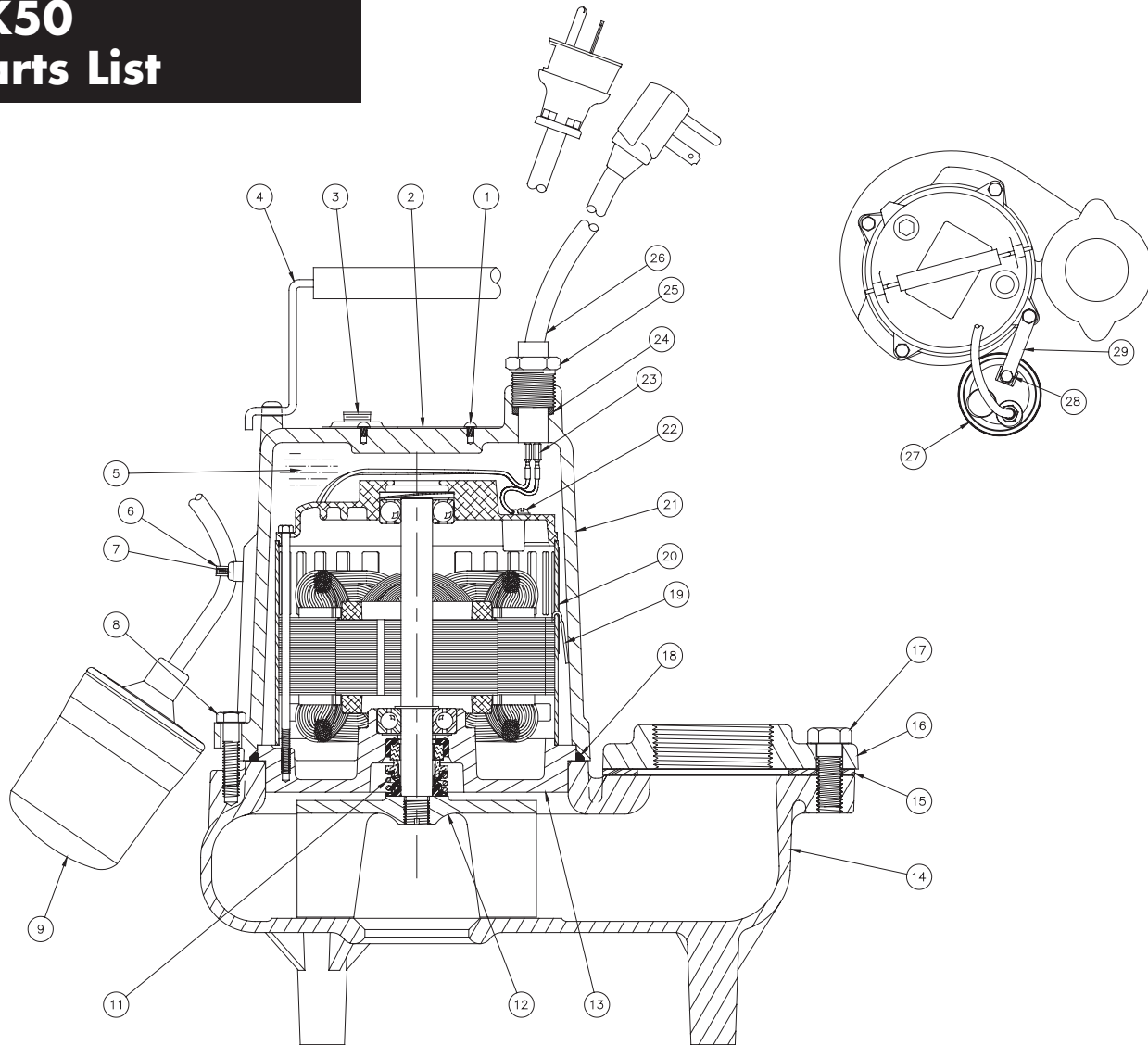


SK50 Parts List



Ref. No.	Part No.	Description	Qty.	Ref. No.	Part No.	Description	Qty.
1	4580-001-1	Drive Screw	2	18	77-003-1	O-Ring	1
2	13425-069-1	Nameplate	1	19	13666-000-1	Ground Strap	1
3	14077-000-1	Pipe Plug	1	20	13559-000-1	Motor 115V/1/60	1
4	60-000-5	Handle	1		13593-000-1	Motor 230V/1/60	1
5	—	Oil-Paraffinic	0.44	21	56-035-1	Motor Housing	1
6	1055-000-1	Switch Tether	1	22	14770-001-1	Ground Screw	1
7	30-002-1	Machine Screw	1	23	6000-053-1	Wire Terminal 16GA	1
8	101-008-1	Capscrew	4		6000-061-1	Wire Terminal 16GA	2
9	13967-010-1	Wide Angle Piggyback Switch 115V-10' (STD)	1	24	139-014-1	Ring Seal	1
	13967-020-1	Wide Angle Piggyback Switch 115V-20' (OPT)	1	25	75-004-1	Cord Nut	1
	13967-025-1	Wide Angle Piggyback Switch 230V-20' (STD)	1	26	14623-010-1	Power Cord 16/3 115V-10'	1
11	14525A010	Shaft Seal	1		14623-020-1	Power Cord 16/3 115V-20'	1
12	4781-002-2	Impeller	1		14623-210-1	Power Cord 16/3 230V-10'	1
13	6846-003-1	Seal Plate	1		14623-220-1	Power Cord 16/3 230V-20'	1
14	6818-002-2	Volute	1	27	14974-009-1	Diaphragm Switch 115V-20' (OPT)	1
15	324-001-1	Gasket	1		14974-010-5	Diaphragm Switch 230V-20' (OPT)	1
16	208-000-2	Discharge Flange 2" (STD)	1	28	11455-003-1	Screw	1
	207-000-2	Discharge Flange 3" (OPT)	1	29	5502-005-1	Switch Bracket	1
17	239-005-1	Capscrew (2" Discharge)	2				
	239-007-1	Capscrew (3" Discharge)	2				