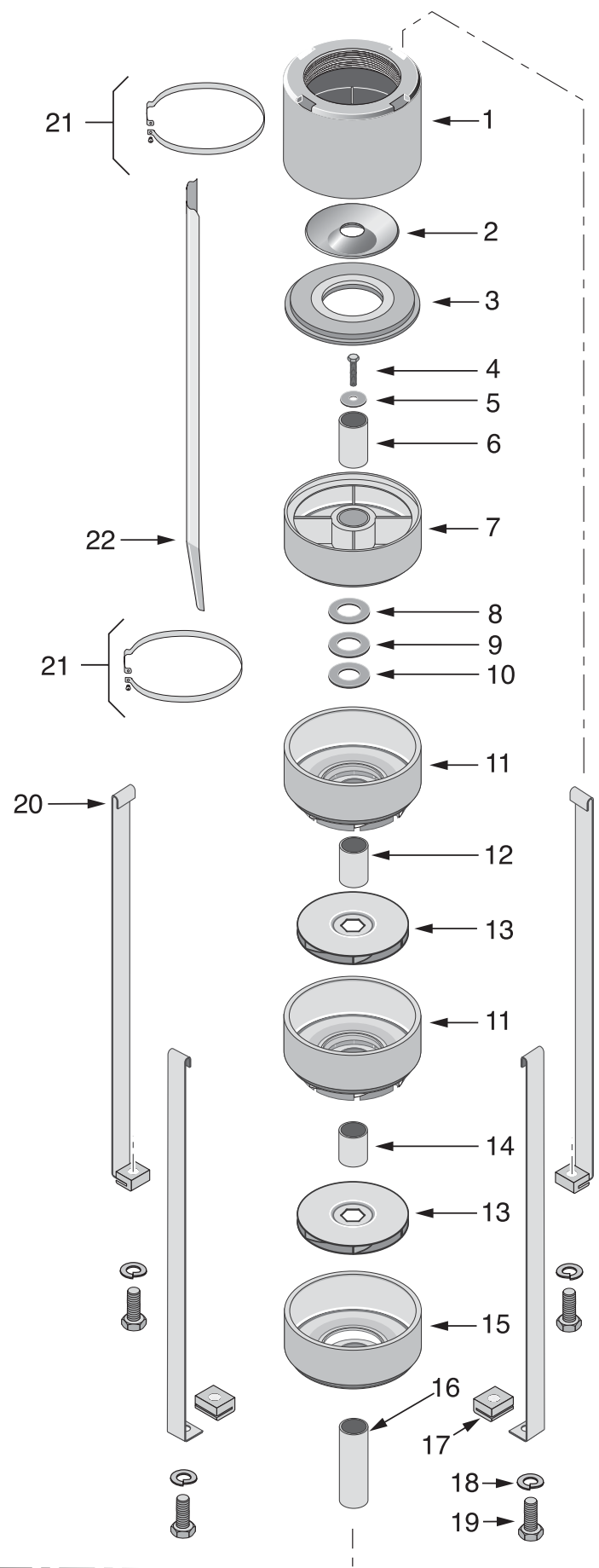
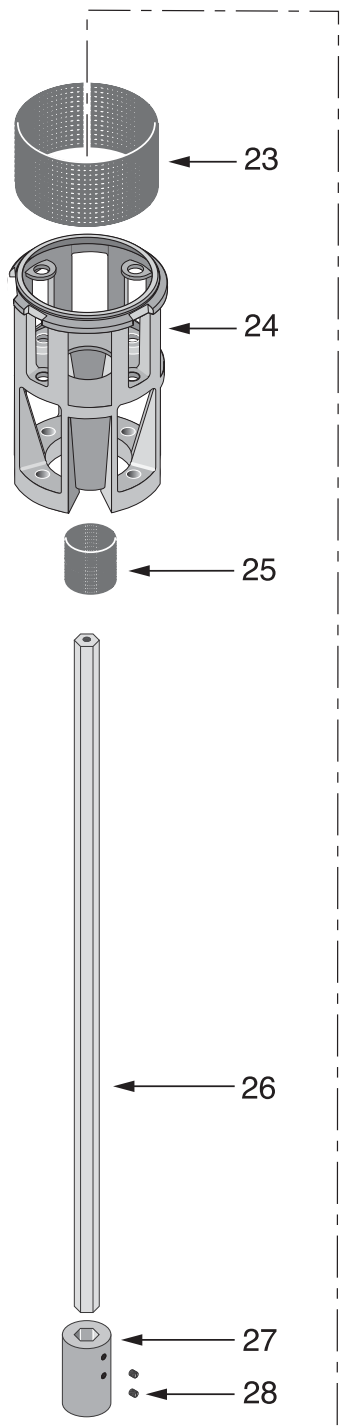


# Repair Parts List

6TS, L6TS, and PEA-6SS Series -  
Radial Flow Submersible  
Turbine Pumps



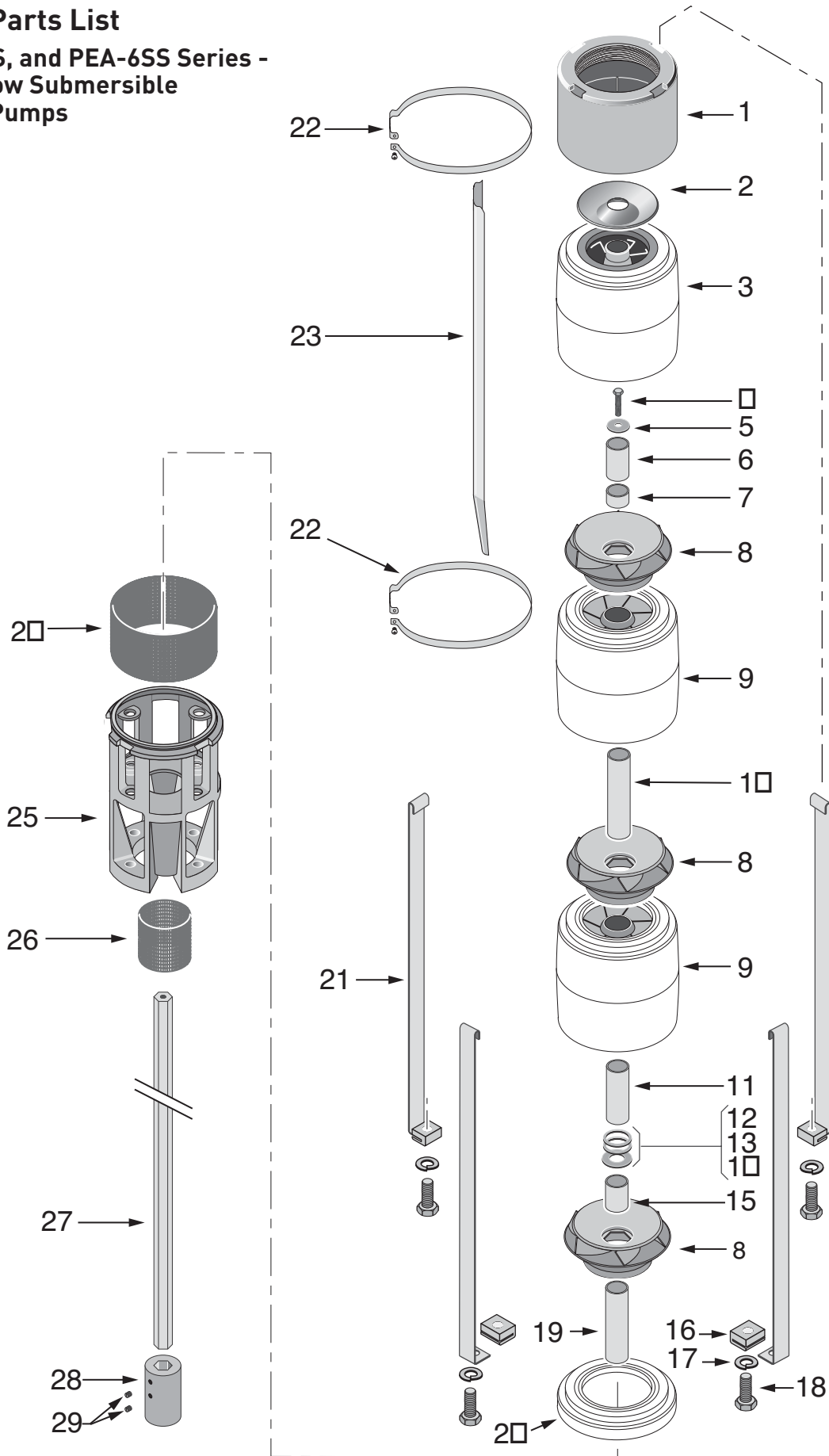
**Repair Parts List**  
**6TS, L6TS, and PEA-6SS Series -**  
**Radial Flow Submersible Turbine**  
**Pumps**

Key No.	Part Description	Qty.
1	Discharge	1
2	Check Valve Poppet	1
3	Check Valve Flange	1
4	Stack Compression Capscrew	1
5	Stack Compression Washer	1
6	Bearing Journal	1
7	Bearing Housing Assembly	1
8	Stainless Washer	1
9	Fiber Washer	1
10	Thrust Washer	1
11	Bowl w/Diffuser	*
12	Discharge Shaft Spacer	1
13	Impeller	*
14	Stage Spacer	*
15	First Stage Bowl w/o Diffuser	1
16	Inlet Shaft Spacer	1
17	Strap Nut	4
18	Lock Washer	4
19	Strap Capscrew	4
20	Strap	4
21	Cable Guard Bracket	2
22	Cable Guard	1
23	Suction Screen	1
24	Suction Bracket	1
25	Coupling Guard	1
26	Shaft	1
27	Coupling	1
28	Coupling Set Screws	2

\* Quantity determined by number of stages.

# Repair Parts List

6TS, L6TS, and PEA-6SS Series -  
Mixed Flow Submersible  
Turbine Pumps



**Repair Parts List**  
**6TS, L6TS, and PEA-6SS Series -**  
**Mixed Flow Submersible**  
**Turbine Pumps**

Key No.	Part Description	Qty.
1	Discharge	1
2	Check Valve Poppet	1
3	Top Bowl	1
4	Stack Compression Capscrew	1
5	Stack Compression Washer	1
6	Bearing Journal	1
7	Discharge Shaft Spacer	1
8	Impeller	*
9	Bowl w/Diffuser	*
10	Stage Spacer	*
11	Distance Sleeve	1
12	Stainless Washer	1
13	Fiber Washer	1
14	Thrust Washer	1
15	Thrust Shaft Spacer	1
16	Strap Nut	4
17	Lock Washer	4
18	Strap Capscrew	4
19	Inlet Shaft Spacer	1
20	First Stage Adapter	1
21	Strap	4
22	Cable Guard Bracket	2
23	Cable Guard	1
24	Suction Screen	1
25	Suction Bracket	1
26	Coupling Guard	1
27	Shaft	1
28	Coupling	1
29	Coupling Set Screws	2

\* Quantity determined by number of stages.