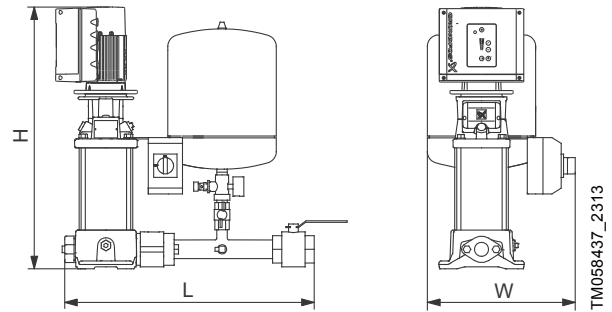
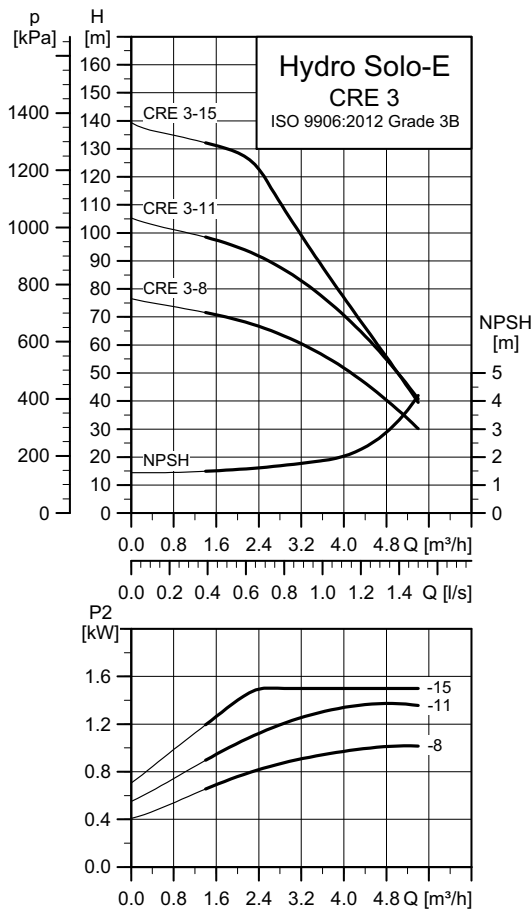


Hydro Solo-E with CRE 3



Electrical data, dimensions and weights

International range

Pump type	Motor [kW]	Full-load current [A]	Supply voltage [V]	Tank volume [m ³]	Connection inlet/outlet	Weight [kg]		Packing [m ³]	Total height [mm]	Dimensions		
						Net weight	Gross weight			A [mm]	H [mm]	L [mm]
CRE 3-4	0.55	3.45 - 2.90	1 x 200-240	18	Rp 1" 1/4	38	41	0.6	486	420	486	600
CRE 3-5	0.75	4.70 - 3.90	1 x 200-240	18	Rp 1" 1/4	41	44	0.6	510	420	510	600
CRE 3-8	1.1	6.70 - 5.60	1 x 200-240	18	Rp 1" 1/4	43	51	0.6	564	420	564	600
CRE 3-11	1.5	9.10 - 7.60	1 x 200-240	12	Rp 1" 1/4	48	74	0.6	694	420	694	600
CRE 3-15	2.2	4.15 - 3.40	3 x 380-500	12	Rp 1" 1/4	58	64	0.6	813	420	813	600

Southern European range

Pump type	Motor [kW]	Full-load current [A]	Supply voltage [V]	Tank volume [m ³]	Connection inlet/outlet	Weight [kg]		Packing [m ³]	Total height [mm]	Dimensions		
						Net weight	Gross weight			A [mm]	H [mm]	L [mm]
CRE 3-5	0.75	4.70 - 3.90	1 x 200-240	25	Rp 1" 1/4	57	77	0.6	510	420	510	600
CRE 3-8	1.1	6.70 - 5.60	1 x 200-240	25	Rp 1" 1/4	59	79	0.6	564	420	564	600
CRE 3-11	1.5	9.10 - 7.60	1 x 200-240	25	Rp 1" 1/4	65	85	0.6	694	420	694	600
CRE 3-15	2.2	4.15 - 3.40	3 x 380-415	25	Rp 1" 1/4	69	89	0.6	813	420	813	600