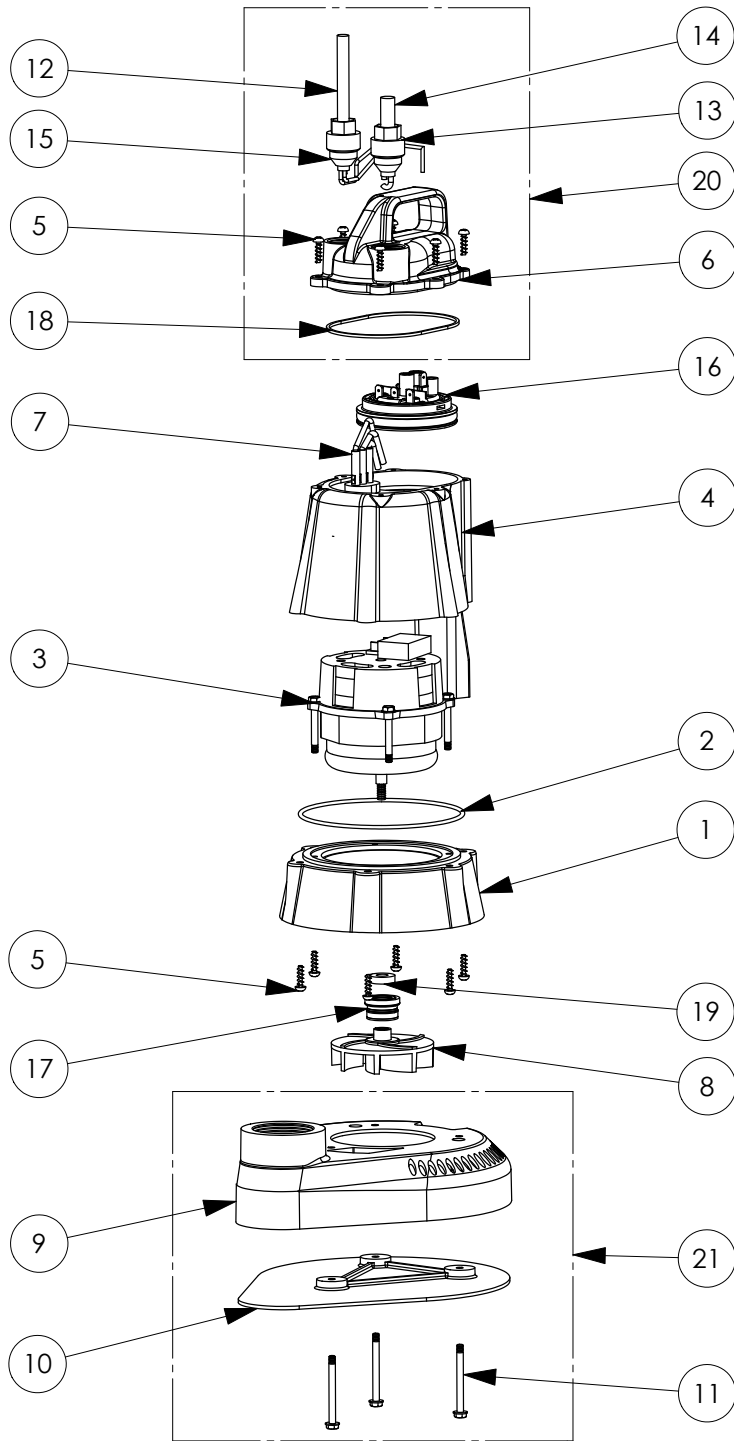


S35 (B10)



S35**S35 (B10)**

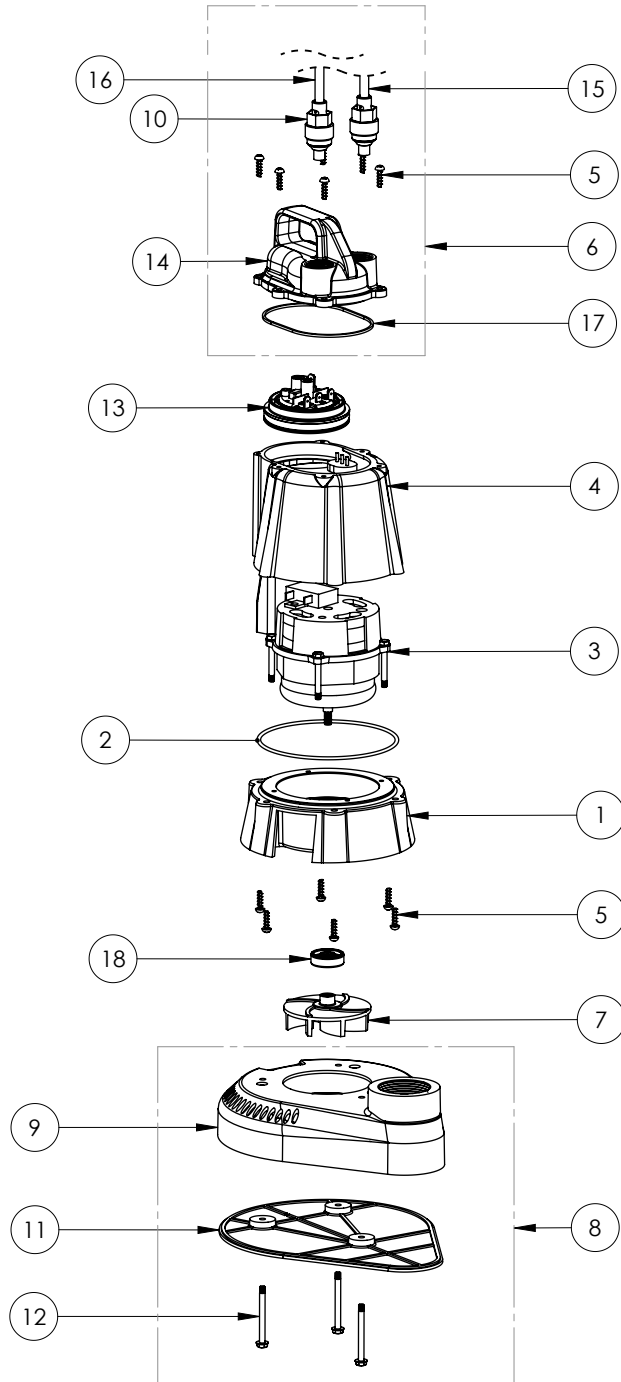
#	PART #	DESCRIPTION	QTY	Note
1	3011000	MOTOR PLATE	1	
2	3026000	O-RING	1	
3	3012000	MOTOR	1	
4	3010000	S35 HOUSING	1	
5	8104200	#10 HILO X 5/8" STAINLESS STEEL SCREW	12	
6	3017000	CHAMBER COVER	1	
7	8070000	WIRE INSULATOR	6	[1]
8	3019E00	IMPELLER	1	
9	3013000	VOLUTE	1	
10	3016000	BASE PLATE	1	
11	3029E00	WASHER HEAD CAP SCREW	3	
12	3024000	SWITCH CORD	1	
13	3021000	COMPRESSION NUT	1	
14	3023000	POWER CORD	1	
15	3022000	RUBBER SEAL RING	2	
16	K001089	SWITCH KIT	1	
17	3031000	FACE SEAL	1	
18	3018000	CHAMBER SEAL RING	1	
19	3034E00	LIP SEAL	1	
20	K001088	3035000 CORD/COVER ASSEMBLY	1	
21	K001090	VOLUTE ASSEMBLY	1	

PART NOTES:

[1] - Part requires factory authorized service. Contact Liberty Pumps at 1-800-543-2550

S35

S35 (B26)



Liberty
Pumps

S35**S35 (B26)**

#	PART #	DESCRIPTION	QTY	Note
1	3011000	MOTOR PLATE	1	
2	3026000	O-RING	1	
3	3012000	MOTOR	1	
4	3010000	S35 HOUSING	1	
5	8104200	#10 HILO X 5/8" STAINLESS STEEL SCREW	16	
6	K001088	3035000 CORD/COVER ASSEMBLY	1	
7	3019E00	IMPELLER	1	
8	K001090	VOLUTE ASSEMBLY	1	
9	3013000	VOLUTE	1	
10	3021000	COMPRESSION NUT	2	
11	3016000	BASE PLATE	1	
12	3029E00	WASHER HEAD CAP SCREW	3	
13	K001089	SWITCH KIT	1	
14	3017000	CHAMBER COVER	1	
15	3023000	POWER CORD	1	
16	3024000	SWITCH CORD	1	
17	3018000	CHAMBER SEAL RING	1	
18	3039000	DOUBLE LIP SEAL	2	