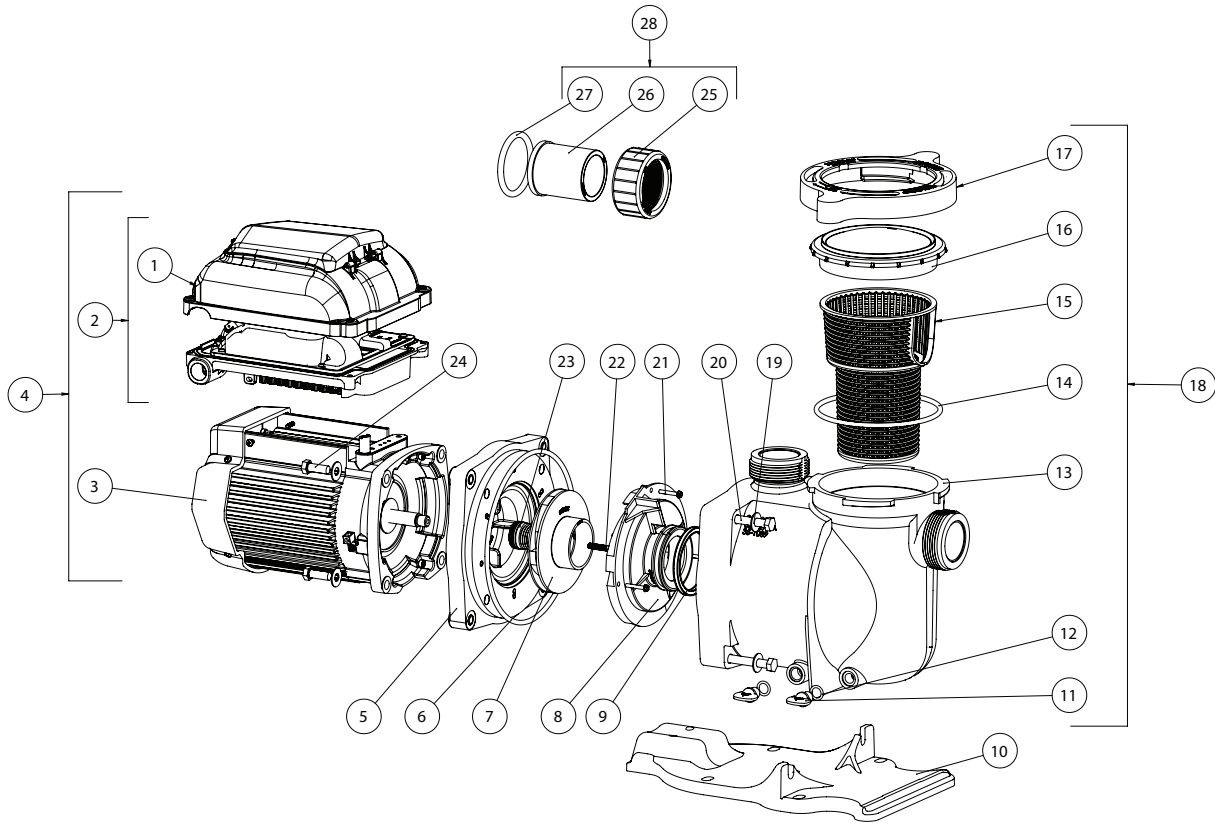


# REPLACEMENT PARTS

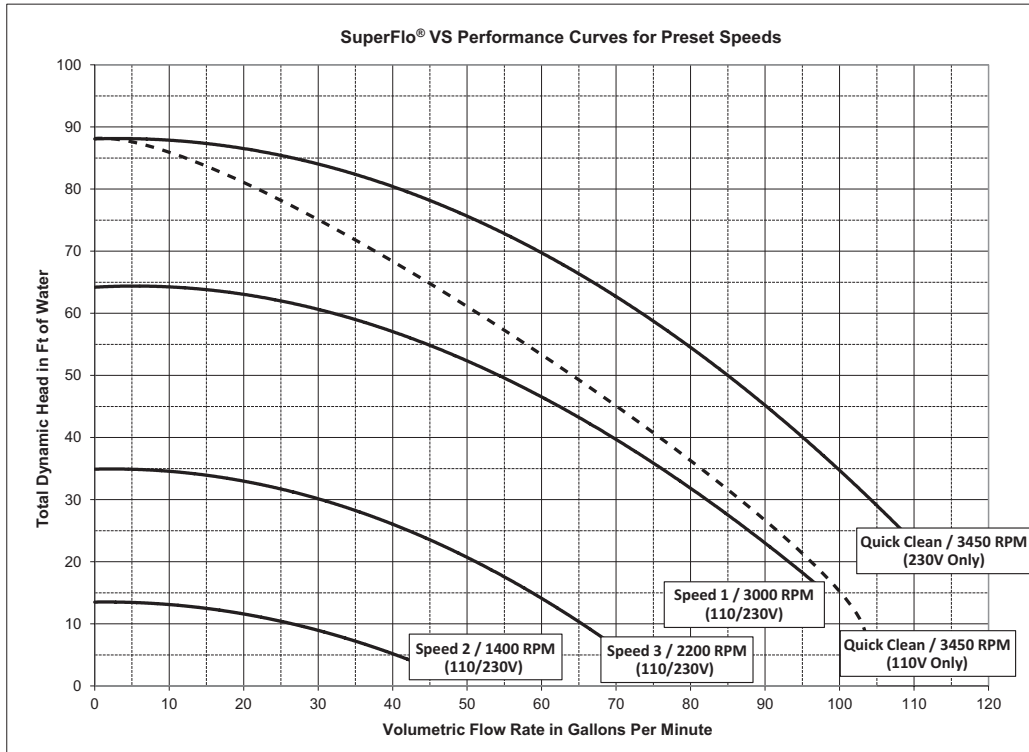
## SuperFlo® VS Variable Speed Pump Replacement Parts List



Item No.	Part No.	Description
1	353123	DRIVE COVER
2	353127	DRIVE ASSEMBLY
3	353134S	MOTOR
4	353132S	MOTOR/DRIVE ASSEMBLY
5	356012	SEALPLATE
6	355619	SEALPLATE GASKET
7	355074	IMPELLER
8	355618	DIFFUSER
9	355030	DIFFUSER SEAL
10	350094	BASE
11	071131	DRAIN PLUG
12	192115	O-RING, DRAIN PLUG
13	350089	VOLUTE
14	357255	O-RING, LID #2-357
15	355667	BASKET

Item No.	Part No.	Description
16	350091	LID, SEE THROUGH
17	350090	CLAMP, CAM AND RAMP
18	353010	VOLUTE ASSEMBLY (INCLUDES ITEMS 11-17)
19	072184	WASHER 3/8 IN. SS, 8 REQ.
20	355621	SCREW 3/8-16 X 2 1/4 HEX HEAD, 4 REQ.
21	355334	SCREW #8-32 HEX WASHER HEAD, 3 REQ.
22	355389	SCREW, IMPELLER LOCKING
23	354545S	SEAL SET
24	354290	HEX HEAD SCREW 3/8-16, 4 REQ.
25	350092	NUT, 2 REQ.
26	350093	ADAPTER, 2 REQ.
27	6020018	O-RING ADAPTER #2-226, 2 REQ.
28	350157	SUPERFLO UNION KIT (CONTAINS 2X ITEMS 26-28)
*	353129Z	KIT DIG INPUT 25' SUPERFLO/SUPERMAX

# Pump Performance Curves



## Pump Specifications

Overall Ratings	
Input Voltage	115-230 Vrms nominal
Input Current	13.2/12.0-11.5 A
Input Frequency	Single phase, 50 or 60 Hz
Control Terminals	18-30V AC (24V AC +/- 20%) or 9-30V DC (12/24V DC +/- 20%)
Maximum Continuous Load	2.0 THP (Total Horse Power)
Speed Range	300 - 3450 RPM
Environmental Rating	NEMA Type 3
Ambient Conditions	
Storage	-40°C to +85°C (-40°F to +185°)
Operating	0°C to +50°C (+32°F to +122°F)
Humidity	Relative 0 to 95 % non-condensing

## Pump Dimensions

